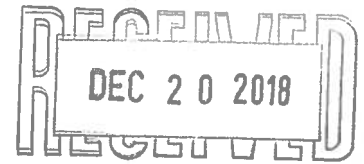


11771

From: caroline.Coathup@hydroone.com
Sent: Thursday, December 20, 2018 12:09 PM
Subject: Hydro One Collectors and Repeaters Update
Attachments: Hydro_One_Collectors_and_Repeaters-Update.pdf



Good afternoon,

Please find attached updated memo regarding Hydro one Collectors and Repeaters.

Caroline Coathup
Asset Optimization
Strategy and Integrated Planning
Hydro One Networks Inc.
Tel: (888) 332-2249 ext.3246
Fax: (613) 267-5406
Email: caroline.coathup@HydroOne.com

- File Incoming Other
- Mayor
- Council I A
- CAO
- Building
- Finance S C
- Ec Dev S C
- Parks & Rec S C
- Planning S C
- Public Wks S C
- PPP
- Social Services
- _____
- _____

This email and any attached files are privileged and may contain confidential information intended only for the person or persons named above. Any other distribution, reproduction, copying, disclosure, or other dissemination is strictly prohibited. If you have received this email in error, please notify the sender immediately by reply email and delete the transmission received by you. This statement applies to the initial email as well as any and all copies (replies and/or forwards) of the initial email

Memorandum

December 10, 2018

To: All Joint Use Partners (Licensees and Pole Owners)
From: Hydro One Networks Inc.

Subject: Placement of Attachments and Working on Attachments on Poles containing Collectors and Repeaters/Routers - Update

This memo updates and replaces the Hydro One Memorandum dated January 20, 2017.

The updated change is to include additional collectors and repeaters/routers to the existing Hydro One Networks Inc (“HONI”) network.

HONI is issuing this letter due to Health Canada's radiofrequency exposure guidelines, commonly known as Safety Code 6 (2015) and work to be carried out near HONI collectors and repeaters/routers which are used to wirelessly collect data.

In keeping with Safety Code 6 (2015), and the recommended best practices for ensuring compliance with the maximum exposure levels for controlled and uncontrolled environments, HONI requires all of its joint use partners to follow the procedures noted in this letter. If you need to carry out any work on any of your existing attachments **within 20 or 32cm** of HONI collectors and repeaters/routers, you must first contact HONI to request disconnection of the relevant collectors and repeaters/routers at least **48 hours** prior to carrying out the work. See Appendix B to this letter for HONI's applicable contact information, or after regular business hours call 1-800-434-1235 (option 4) and advise an emergency disconnect is required. HONI will disconnect the relevant collectors and repeaters/routers at no cost.

If you are installing new attachments on HONI poles or on poles owned by others **within 20 or 32cm** of a HONI collectors and repeaters/routers, HONI will disconnect the relevant collectors and repeaters/routers and the cost of such disconnection will constitute make-ready work.

For your information, HONI's collectors and repeaters/routers are specifically illustrated on the attached Appendix A.

If you wish to discuss this further, please contact us at ExternalJointUse@HydroOne.com or at the numbers provided below.

Yours truly,

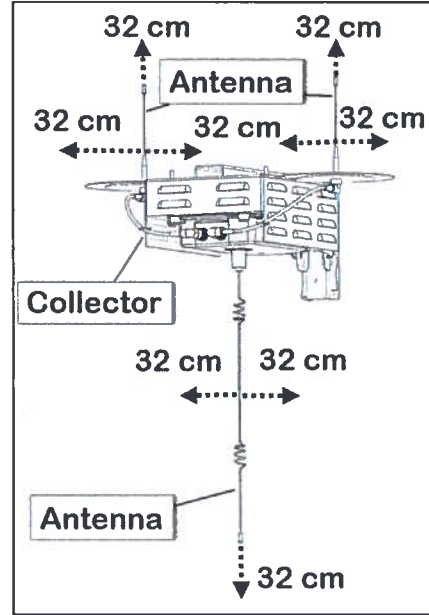
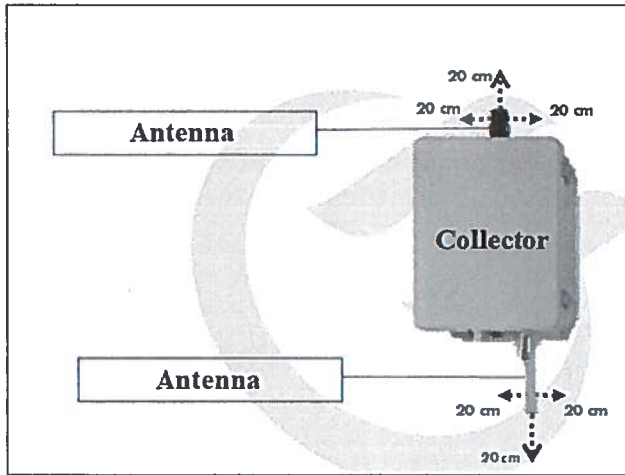
Rossella Fazio
Manager – Asset Optimization
(416) 345-6411
Rossella.Fazio@HydroOne.com

Reg Walker
Joint Use Officer
(877) 647-2872 Ext. 2035
Reginald.Walker@HydroOne.com

Appendix A

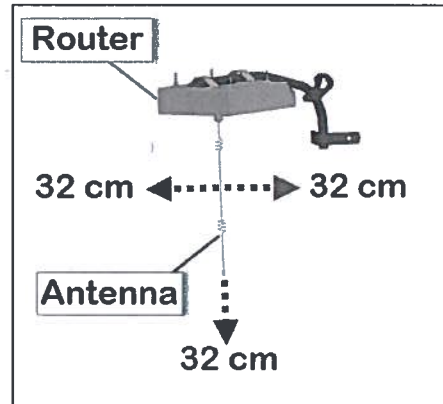
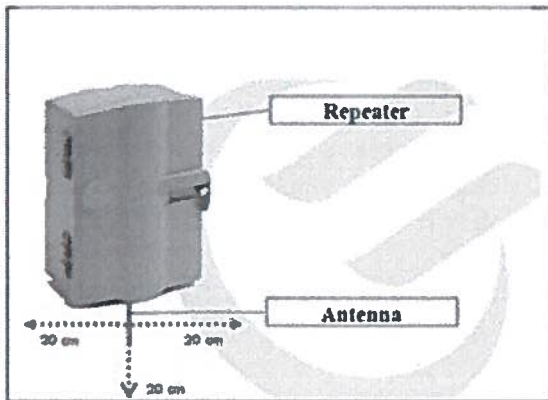
Collectors

Required Clearances For Working Near Collectors



Repeater/Router

Required Clearances For Working Near Repeaters/Routers



Appendix B



Distribution - Provincial Lines Contact List

Region	Telephone No.	Fax No.	E-Mail Address
South	519-537-7172 & press 2	519-537-5081	WesternFBCPlanning@hydroone.com
Central	1-888-238-2398 & press 3	705-727-4803	Zone5Scheduling@hydroone.com
Central	1-888-871-3514	705-743-0471	Zone3aScheduling@hydroone.com
Eastern	1-866-646-4619	613-967-3589	FBC.Belleville@hydroone.com
Eastern	1-888-332-2249 or 613-267-2154	613-267-5406	EastZoneScheduling@hydroone.com
Northern	1-888-835-9444 or 705-566-8955	1-866-269-6897	Zone6Scheduling@hydroone.com

